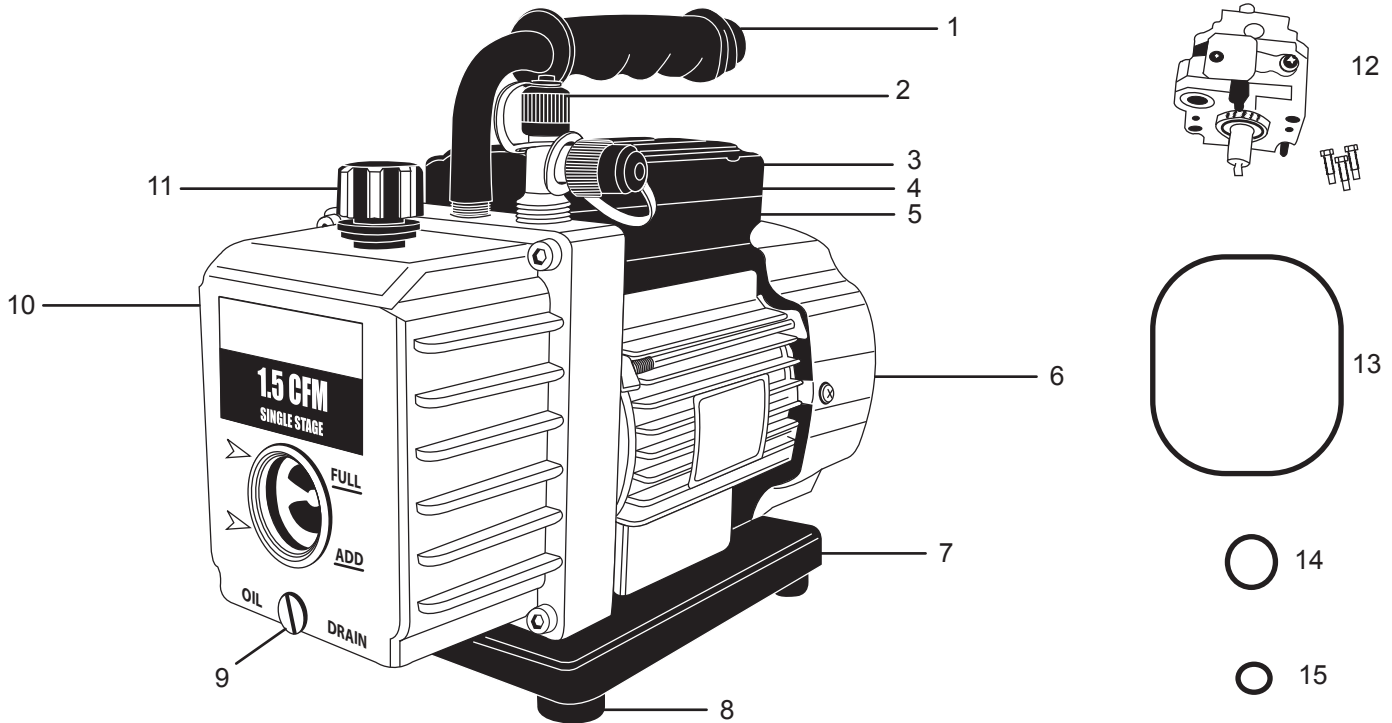




Mastercool[®] Inc.
"World Class Quality"

**1.5 CFM SINGLE STAGE
VACUUM PUMP**

**REPAIRABLE PARTS BREAKDOWN
(90059-R)**



REF. #	DESCRIPTION	PART #
1.	HANDLE	90060-40
2.	T-FITTING	90052-31
3.	110V POWER CORD	6535-110
4.	ON/OFF SWITCH	98300-006-59
5.	ELECTRICAL BOX	90059-R-EB
6.	FAN COVER	90059-FC
7.	BASE PLATE WITH SCREWS	90059-BP
8.	RUBBER FEET	90059-15
9.	OIL DRAIN PLUG WITH O-RINGS	90059-28
10.	PUMP COVER	90059-12
11.	EXHAUST FITTING	90059-10
12.	CARTRIDGE	90059-03
13.	PUMP COVER O-RING	90059-13
14.	PUMP CARTRIDGE O-RING	90059-21
15.	PUMP CARTRIDGE O-RING SMALL	90059-22