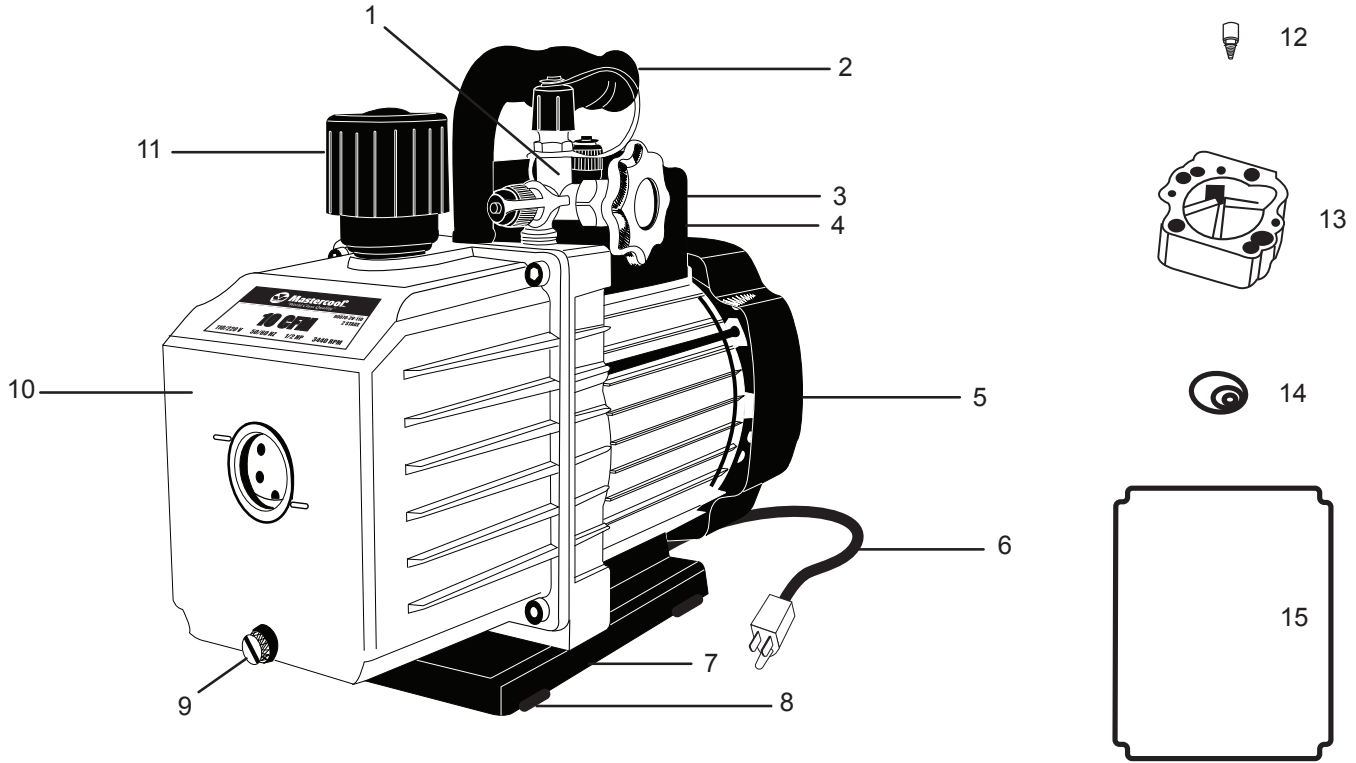




Mastercool[®] Inc.
"World Class Quality"

**10 CFM TWO STAGE
 VACUUM PUMP**

**REPAIRABLE PARTS BREAKDOWN
 (90070-2V)**



REF. #	DESCRIPTION	PART #
1.	VALVE WITH CAPS	90056-01
2.	HANDLE	90063-2V-H
3.	ON/OFF SWITCH	90063-2V-SW
4.	ELECTRICAL BOX	90070-2V-EB
5.	FAN COVER	90070-2V-FC
6.	110V POWER CORD 220V POWER CORD	6535-110 6535-220
7.	BASE PLATE WITH BOLTS	90070-2V-BP
8.	RUBBER FEET	90059-15
9.	OIL DRAIN FITTING WITH O-RING	90063-2V-28
10.	PUMP COVER	90070-2V-12
11.	EXHAUST FITTING	90070-2V-10
12.	GAS BULLET WITH O-RING	90070-2V-29
13.	CARTRIDGE	90070-2V-03
14.	O-RINGS FOR CARTRIDGE	90070-2V-22
15.	PUMP COVER O-RING	90070-2V-13